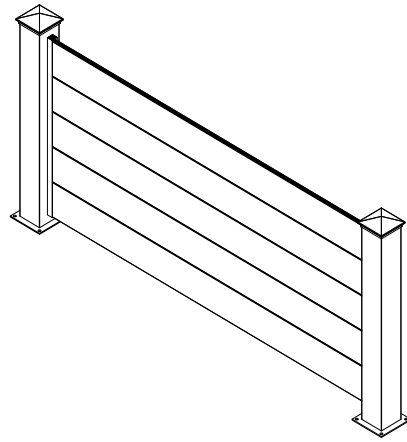


CASANCOV

NIESEN 190H90



STW-000011



2H



x2

STW-000011

STI-000011

[x1]

EN

FR

DE

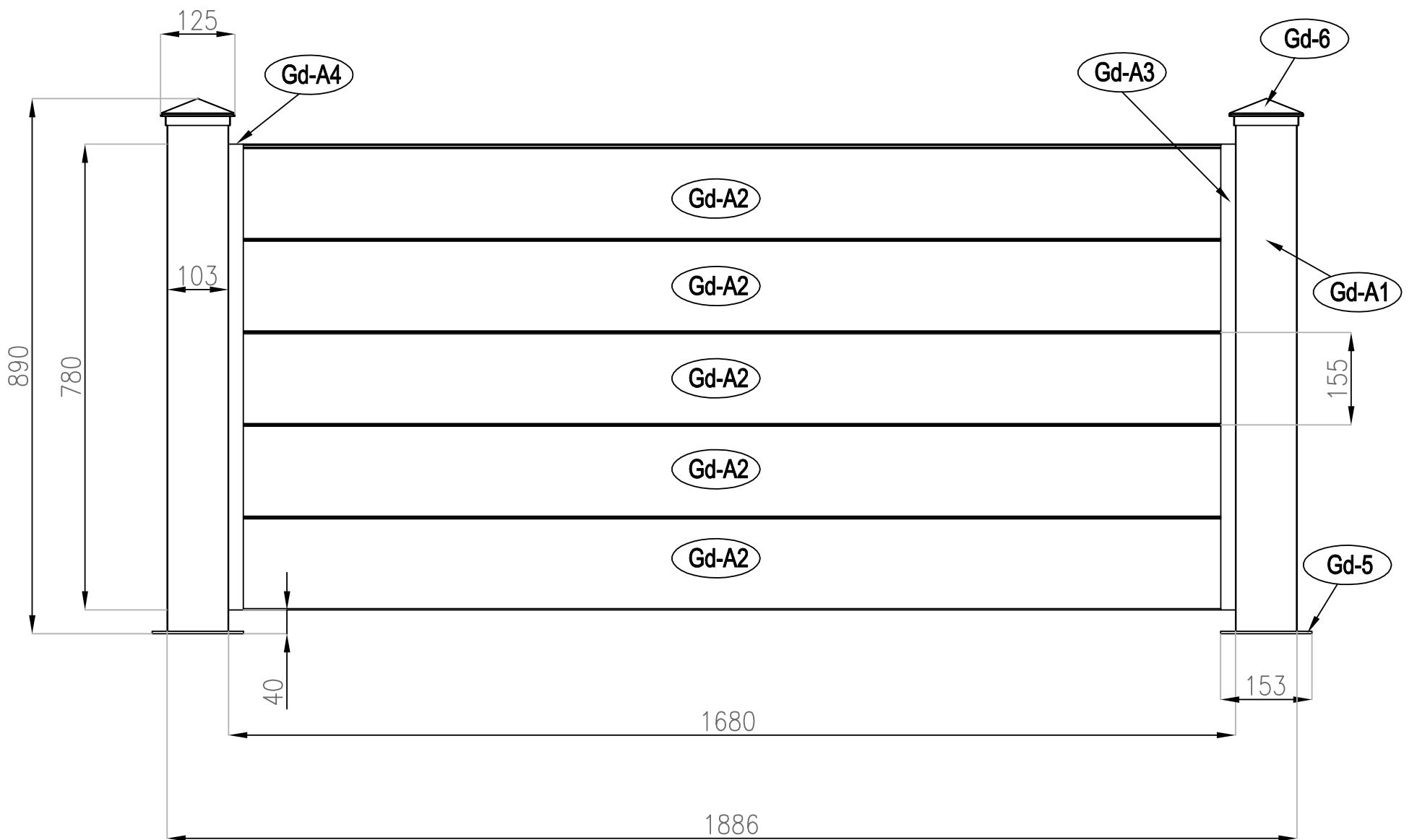
ES

PT

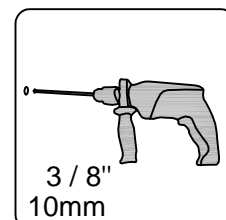
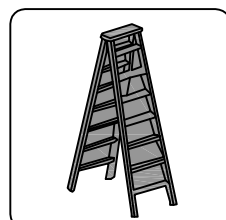
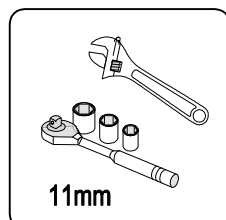
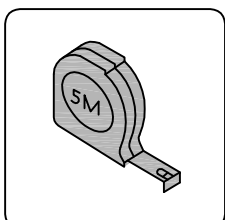
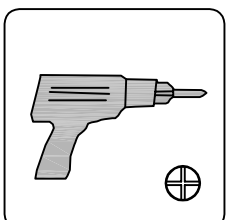
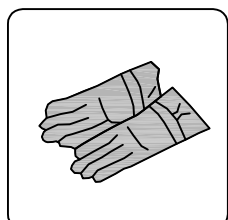
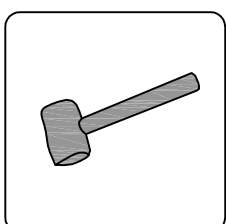
IT

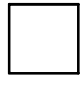
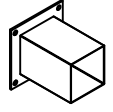

NL

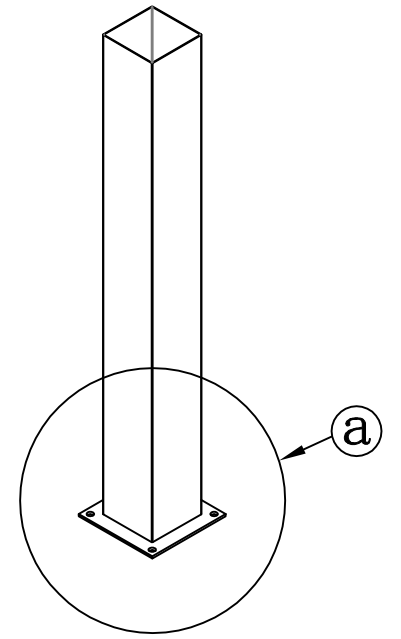
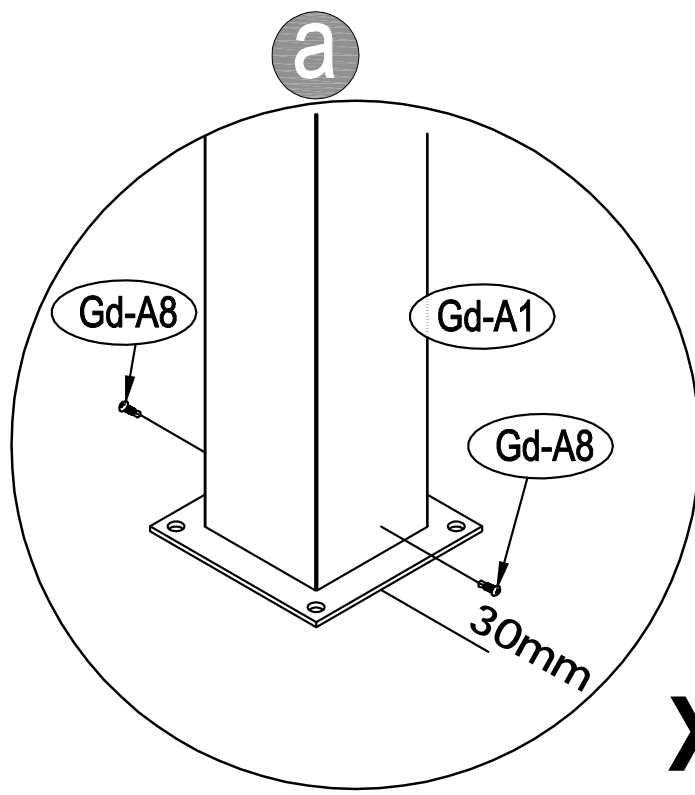
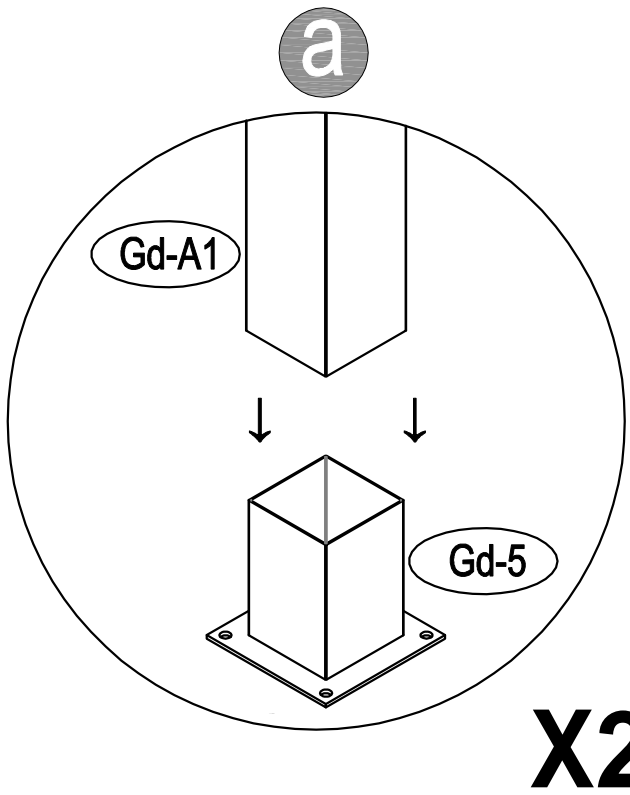
PL




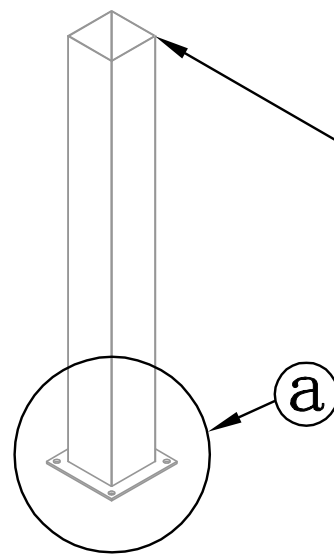
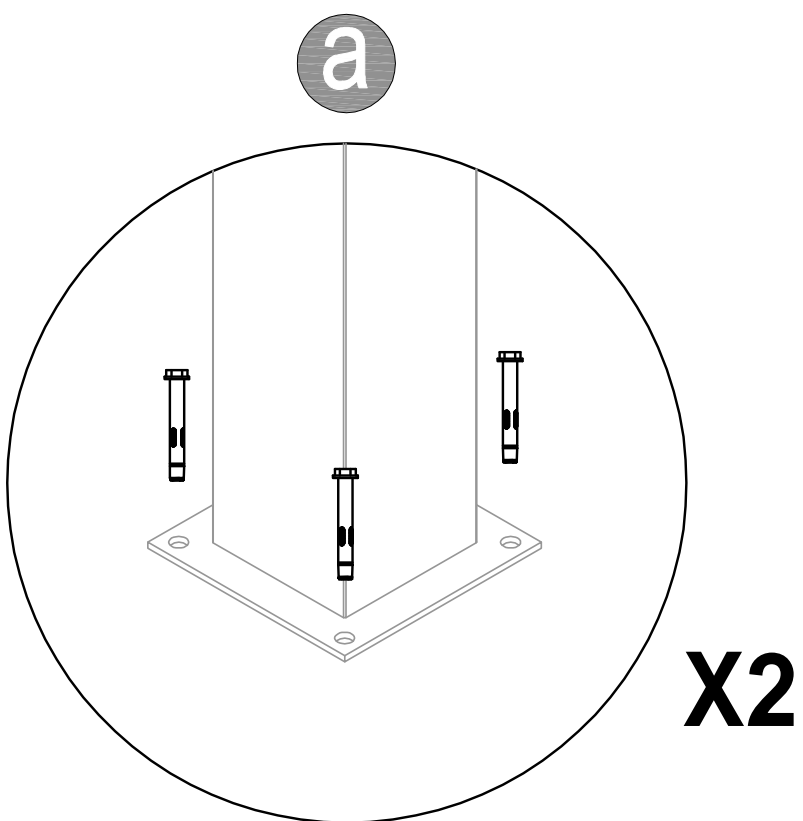
Gd-A1		860mm	x2	1/1
Gd-A2		1665mm	x5	1/1
Gd-A3		780mm	x2	1/1
Gd-A4		780mm	x2	1/1
Gd-5		153X153mm	x2	1/1
Gd-6		125X125mm	x2	1/1
Gd-7		M10X60mm	x8	1/1
Gd-A8		ST5X16mm	x12	1/1
Gd-A9		ST4X13mm	x24	1/1



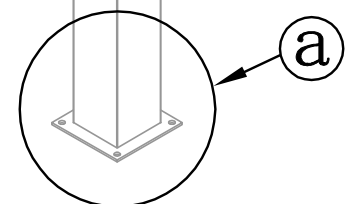
<p>1</p>	 <p>Gd-A1 [x2]</p>	 <p>Gd-5 [x2]</p>	 <p>Gd-A8 [x4]</p>	
-----------------	---	--	--	--



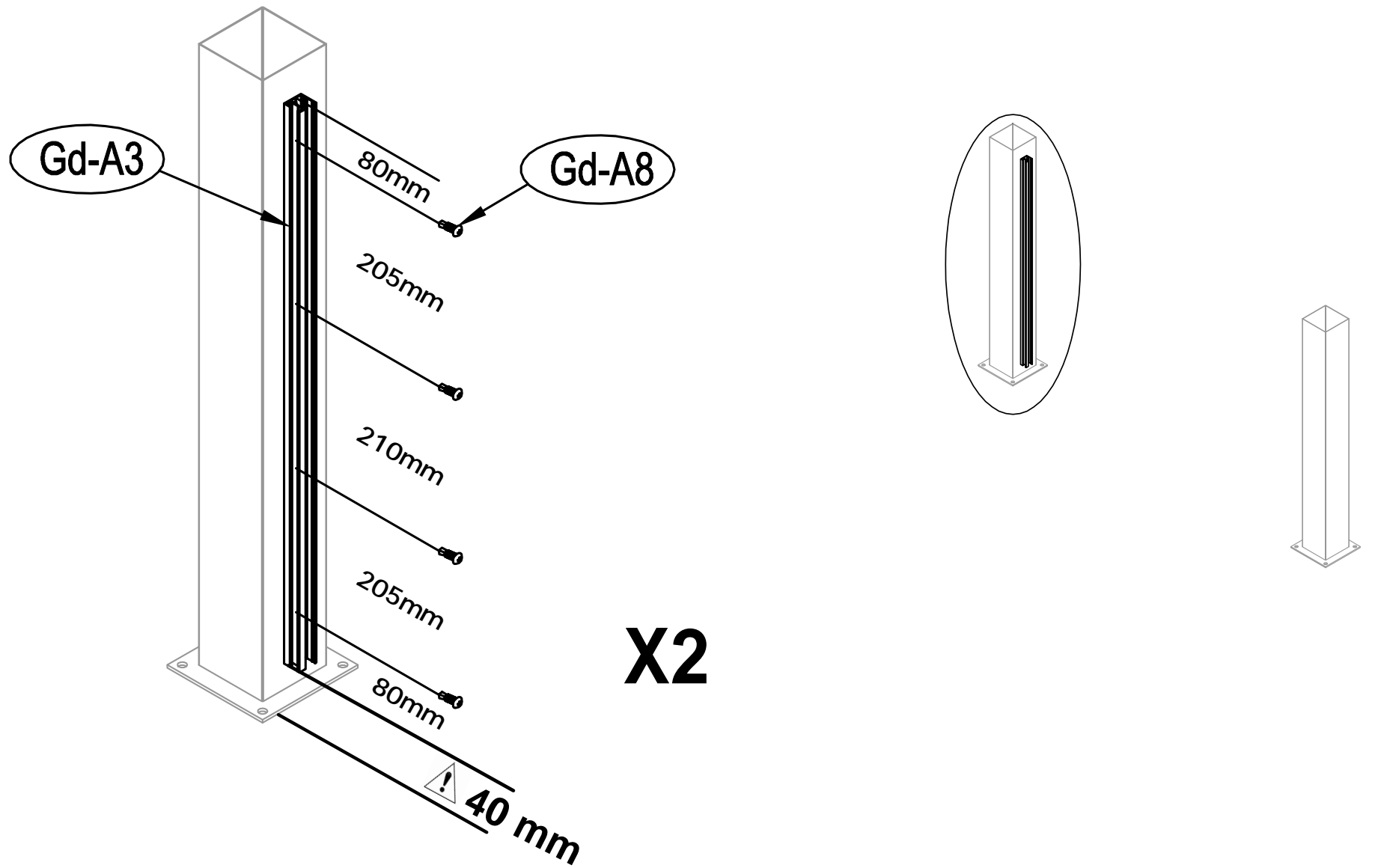
<p>2</p>	 <p>Gd-7 [x8]</p>			
-----------------	--	--	--	--



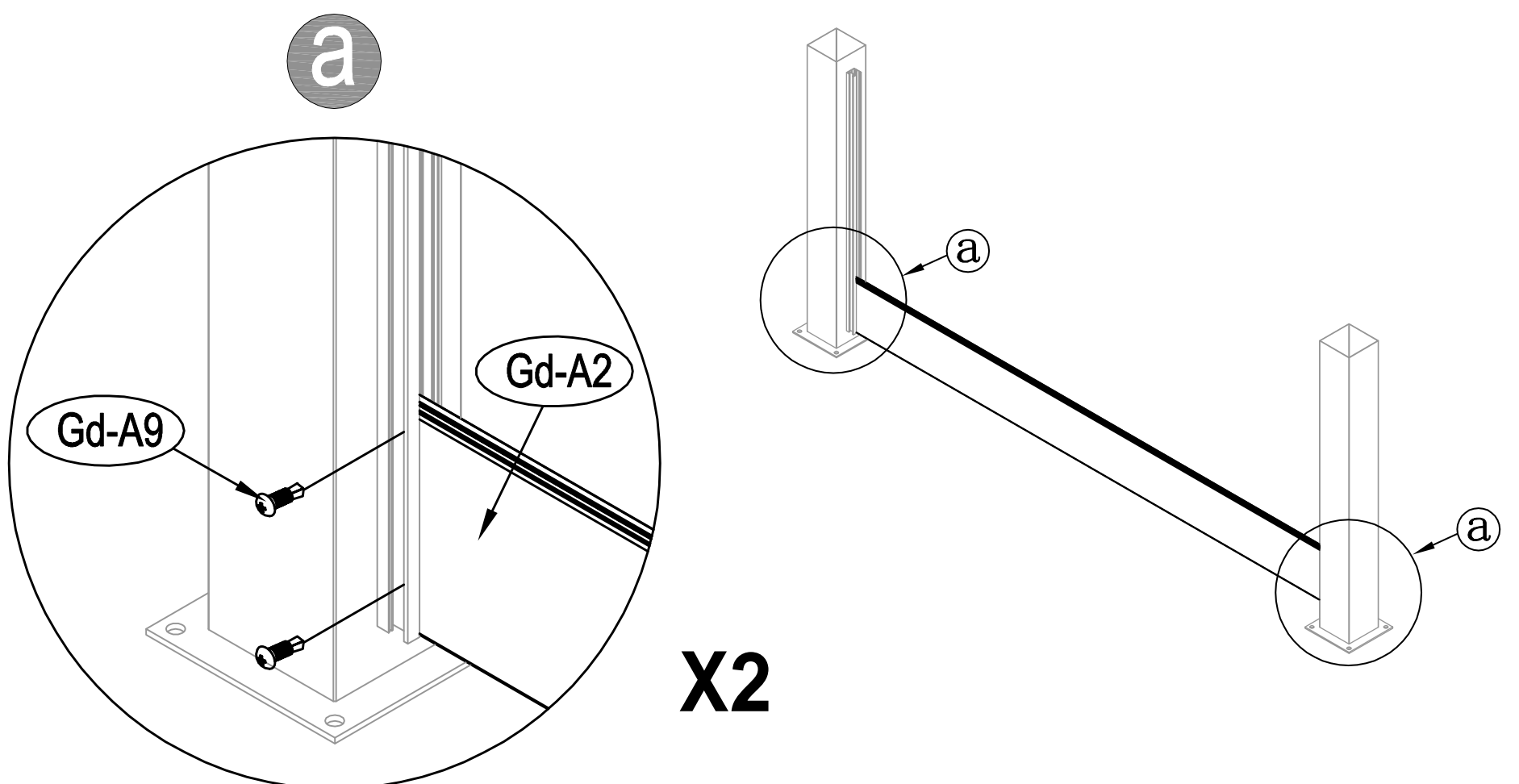
1680

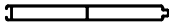


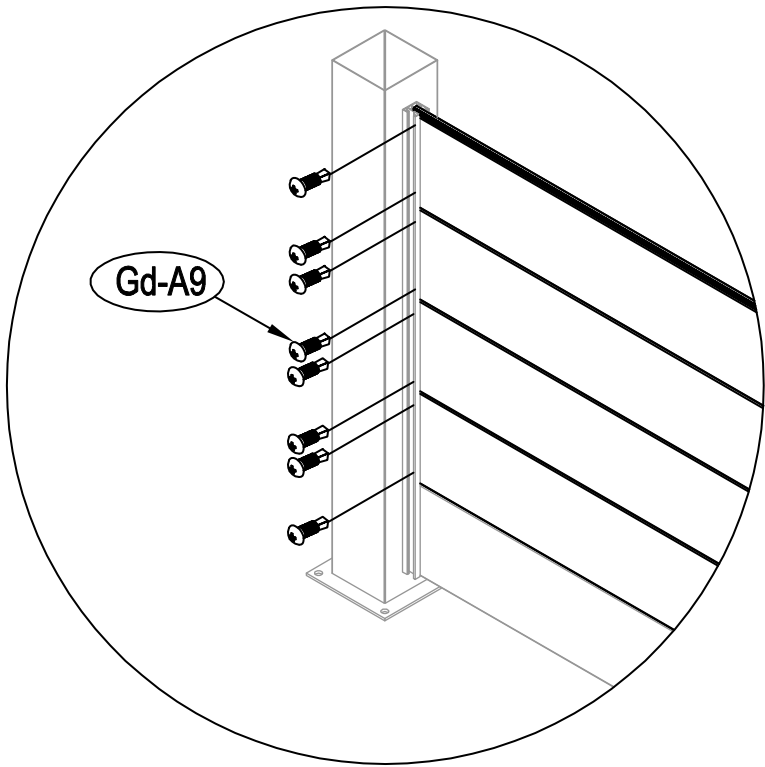
3	 Gd-A3 [x2]	 Gd-A8 [x8]		
---	---	---	--	--



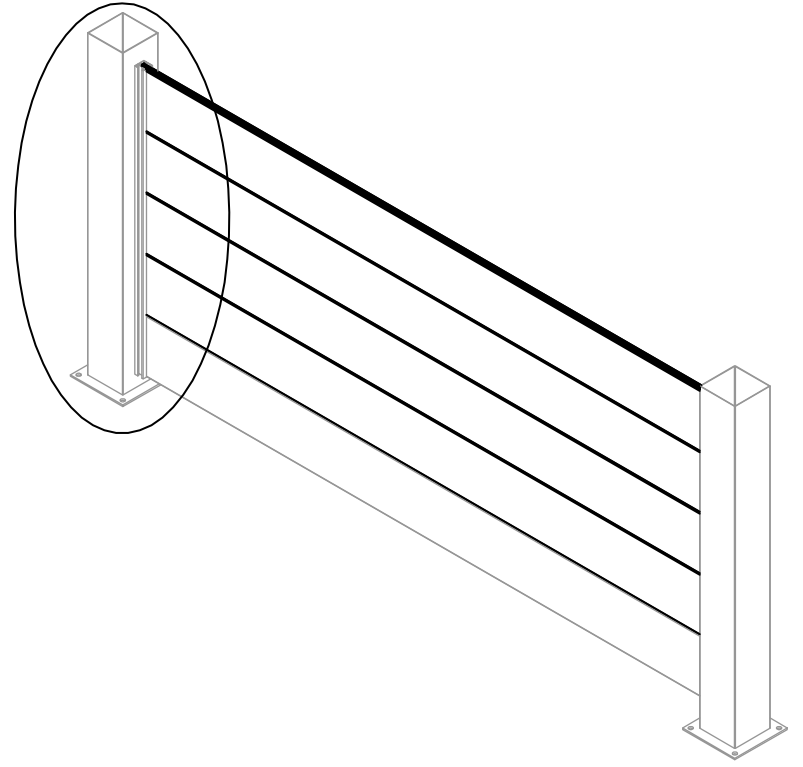
4	 Gd-A2 [x1]	 Gd-A9 [x4]		
---	---	---	--	--

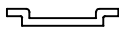


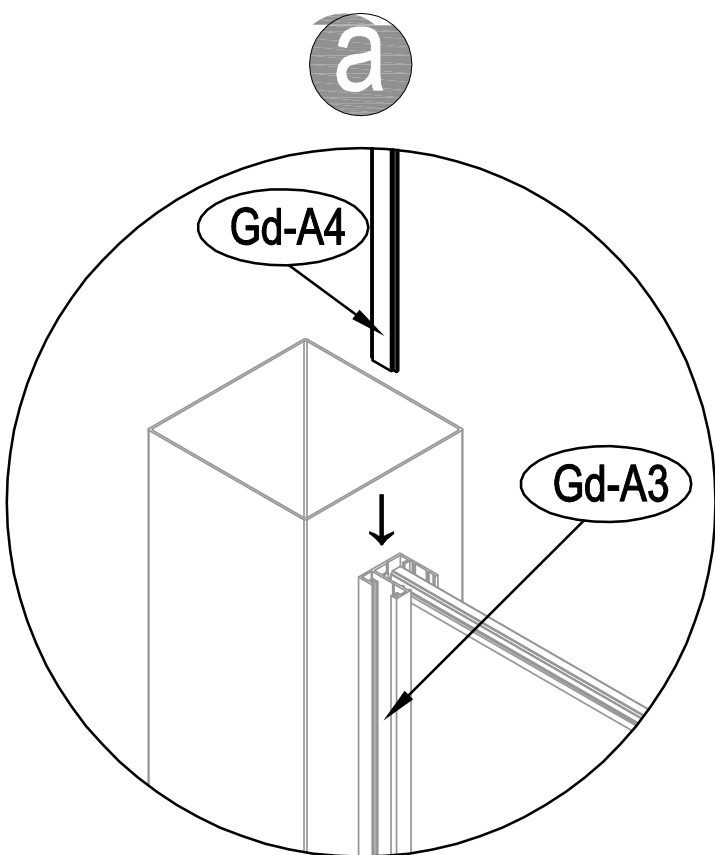
5	 Gd-A2 [x4]	 Gd-A9[x16]		
---	---	---	--	--



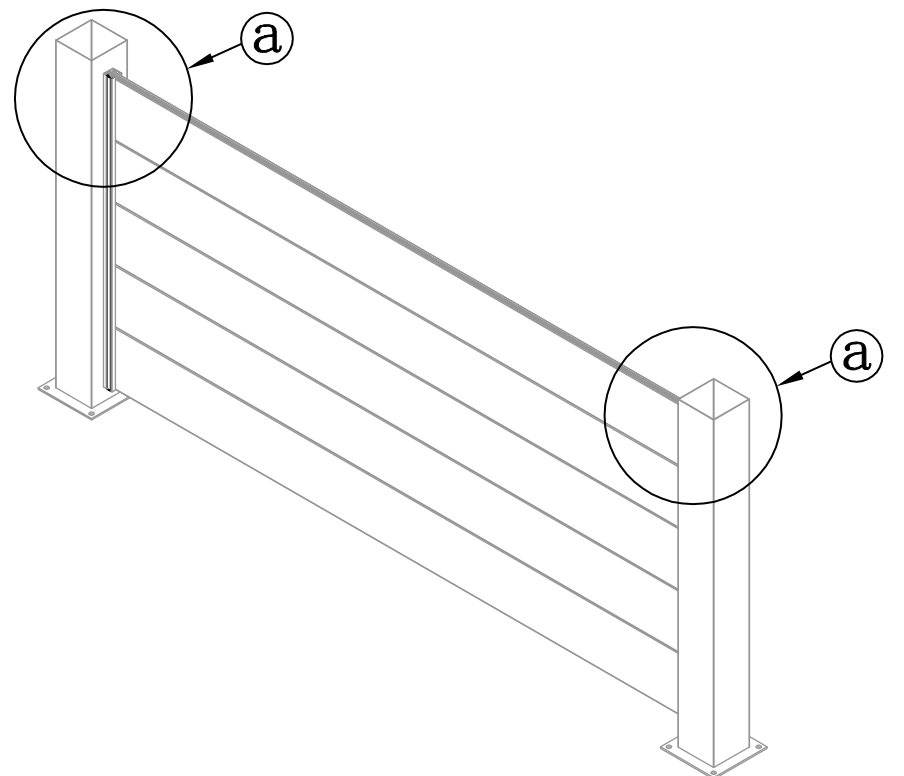
X2



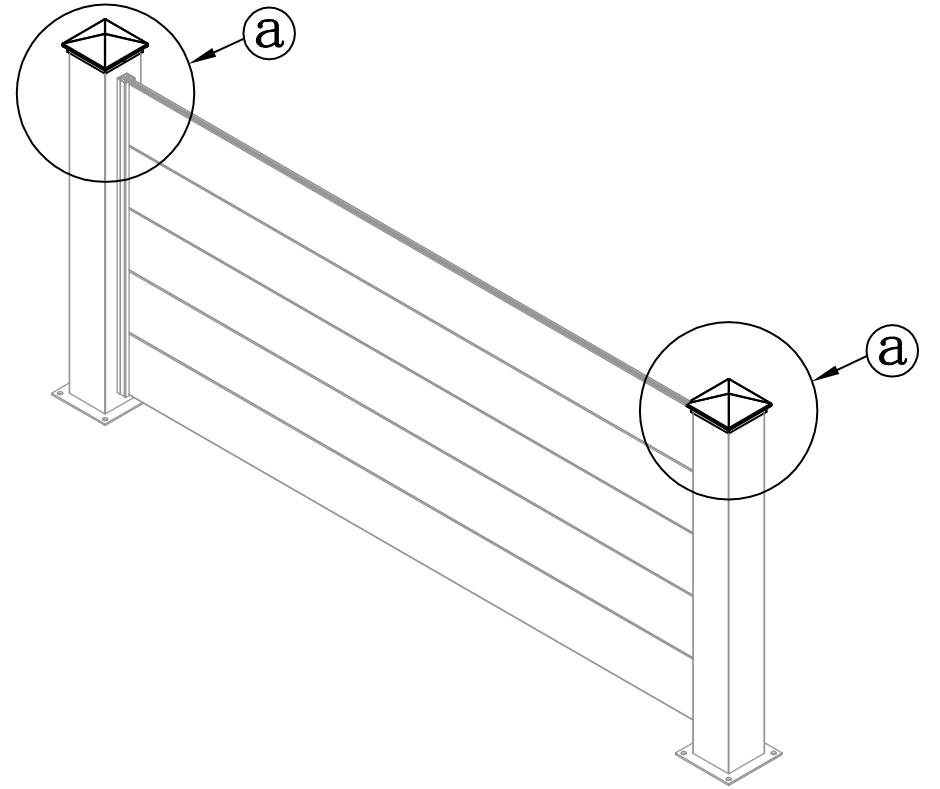
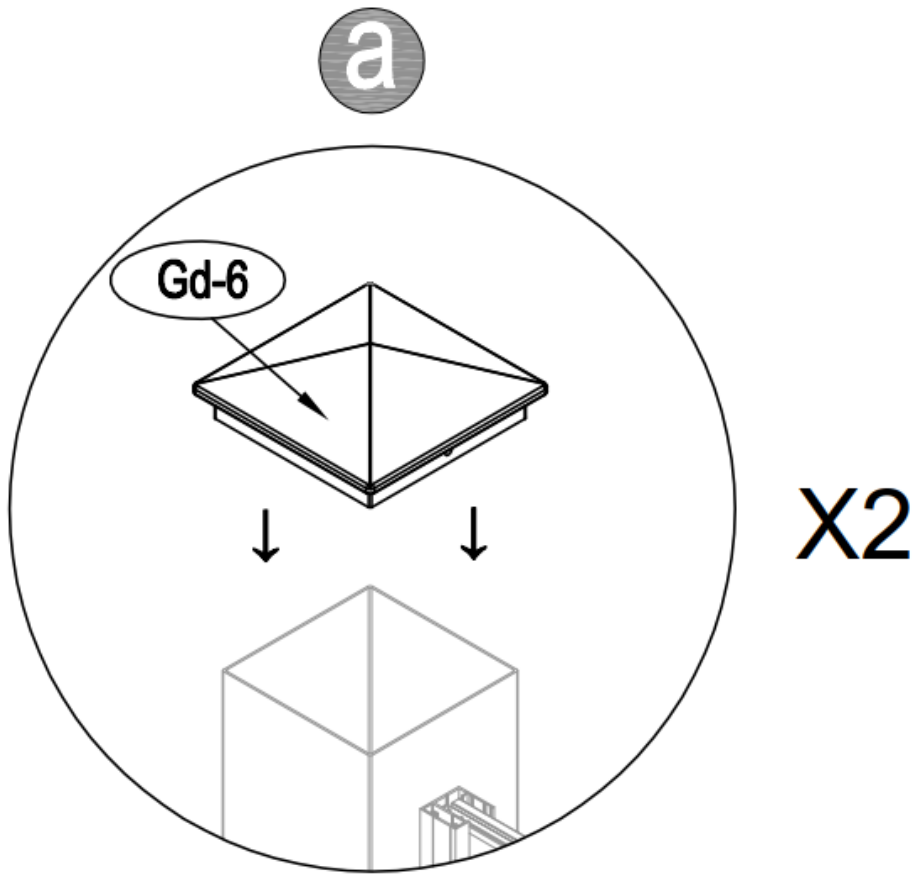
6	 Gd-A4 [x2]			
---	---	--	--	--




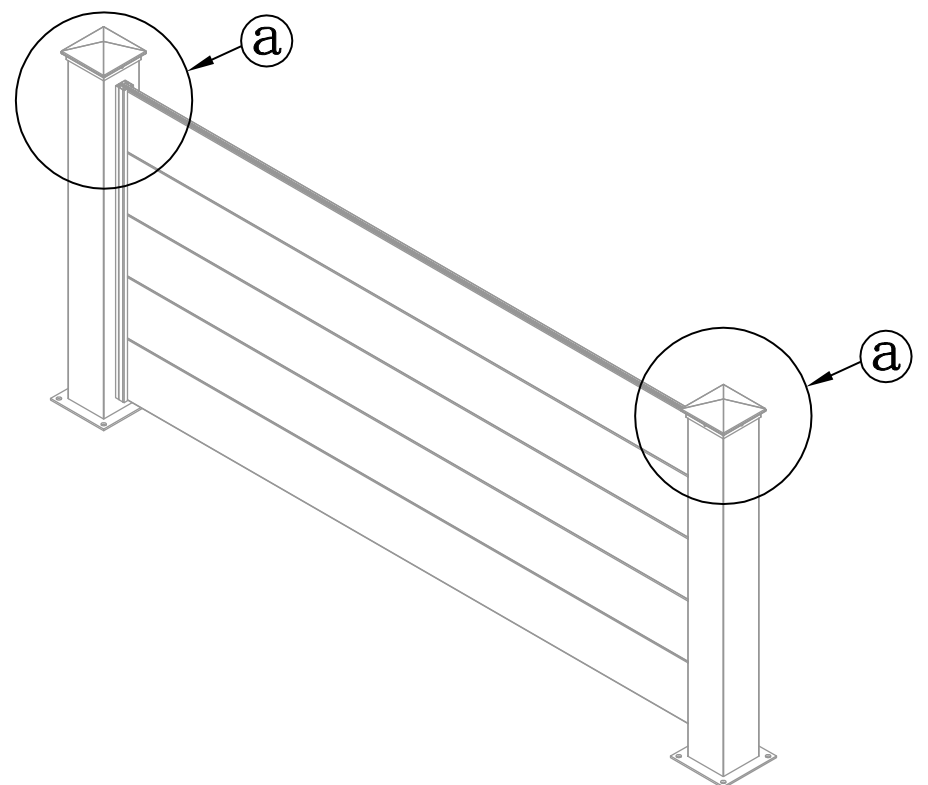
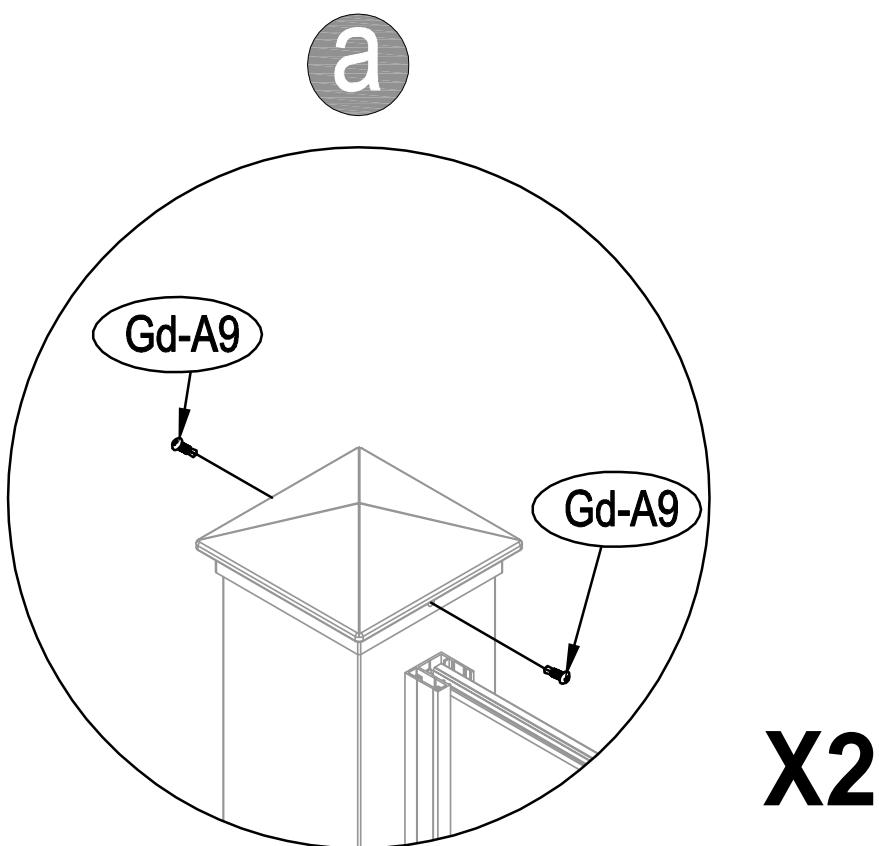
X2



7	 Gd-6 [x2]			
---	--	--	--	--

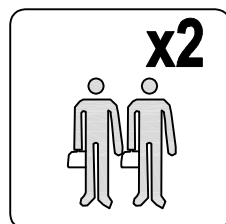
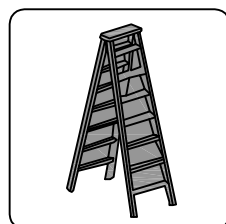
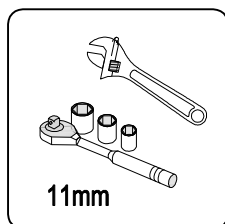
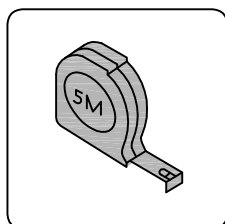
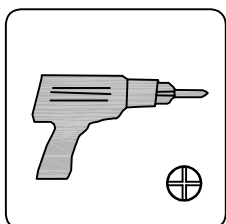
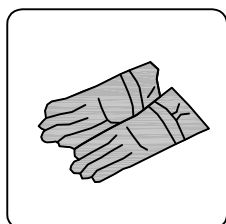
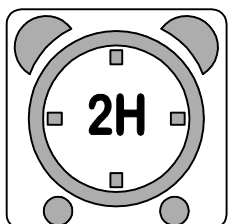
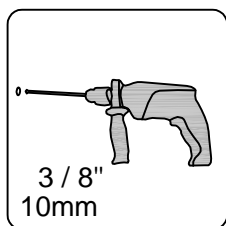
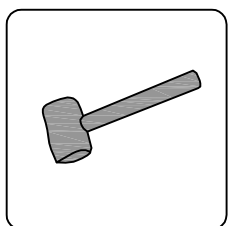
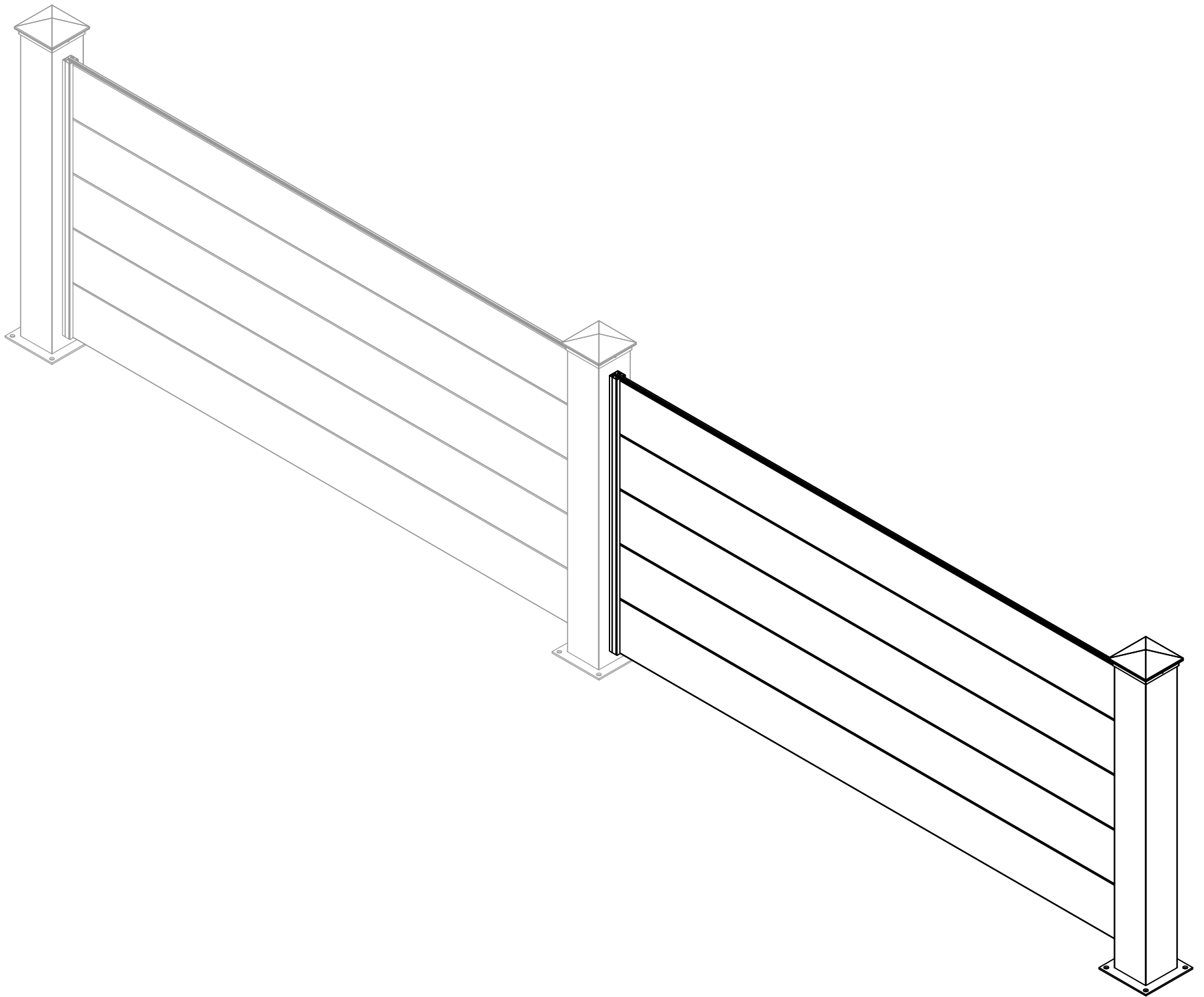


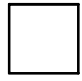
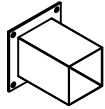

8	 Gd-A9 [x4]			
---	---	--	--	--

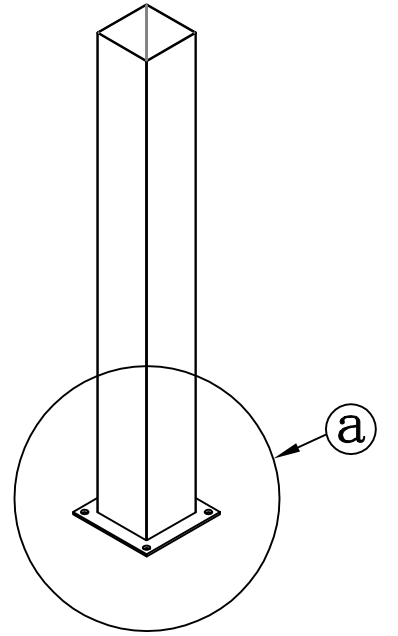
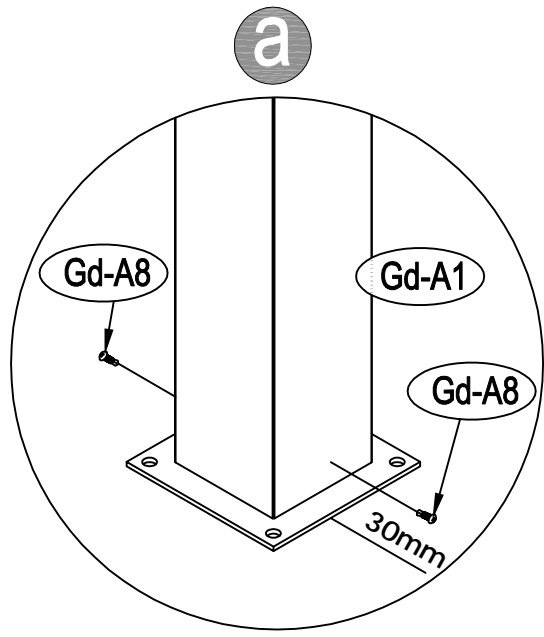
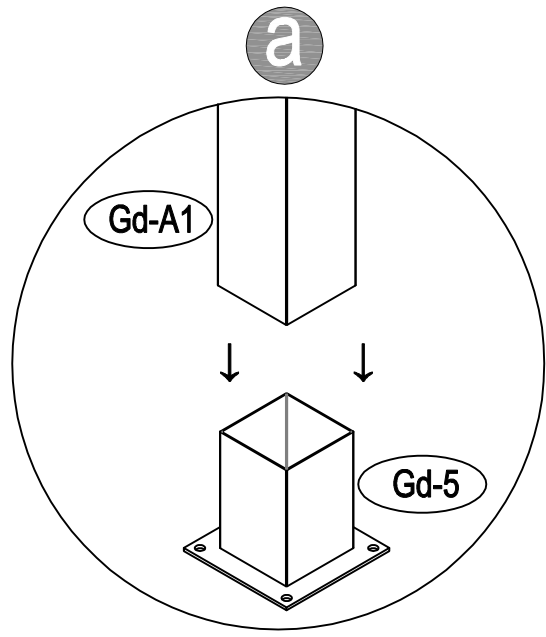



NIESEN 190H90

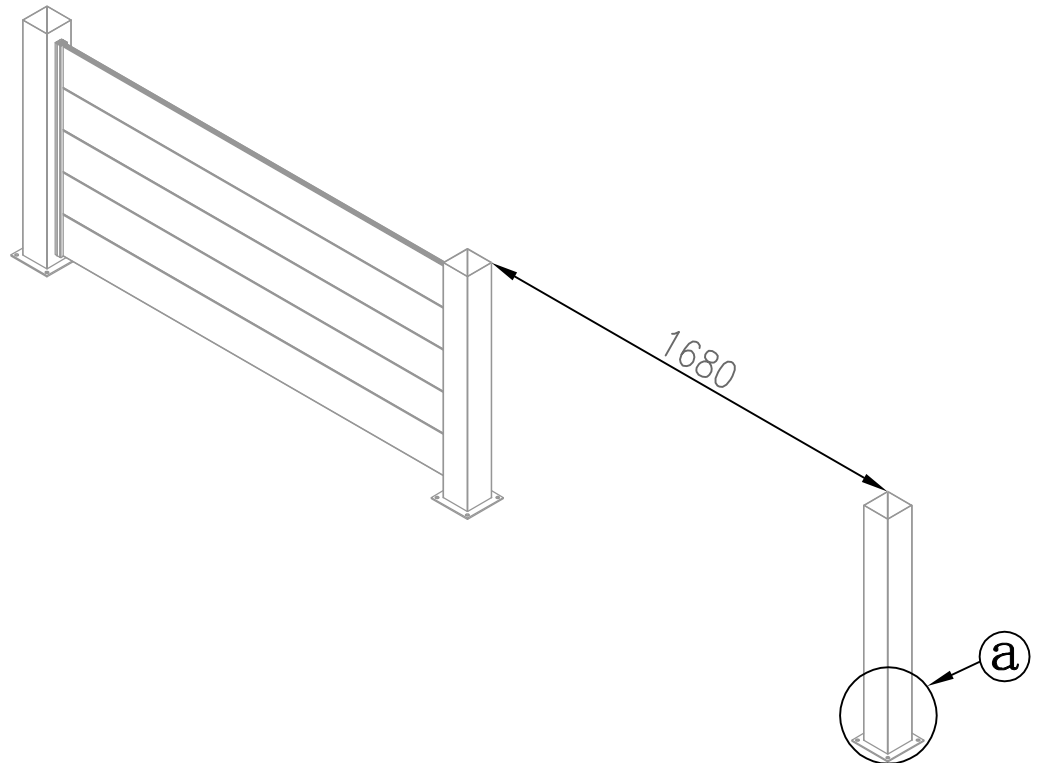
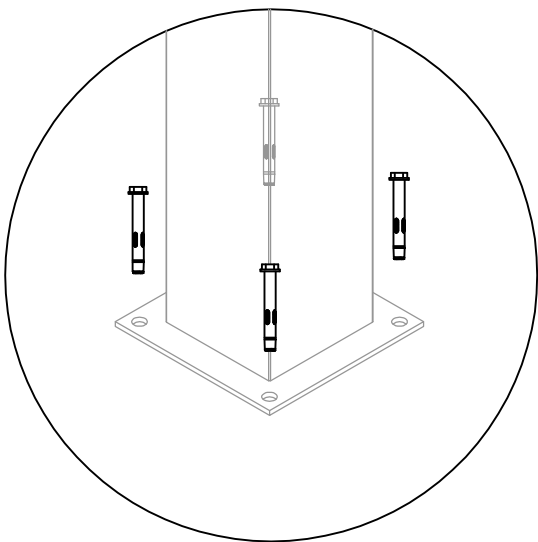
Multi-length / Multi-longueur / Mehrsprachig / Multi-longitud / Multi-comprimento /
Multi-lunghezza / Multi-lengte / Wieloczęściowy



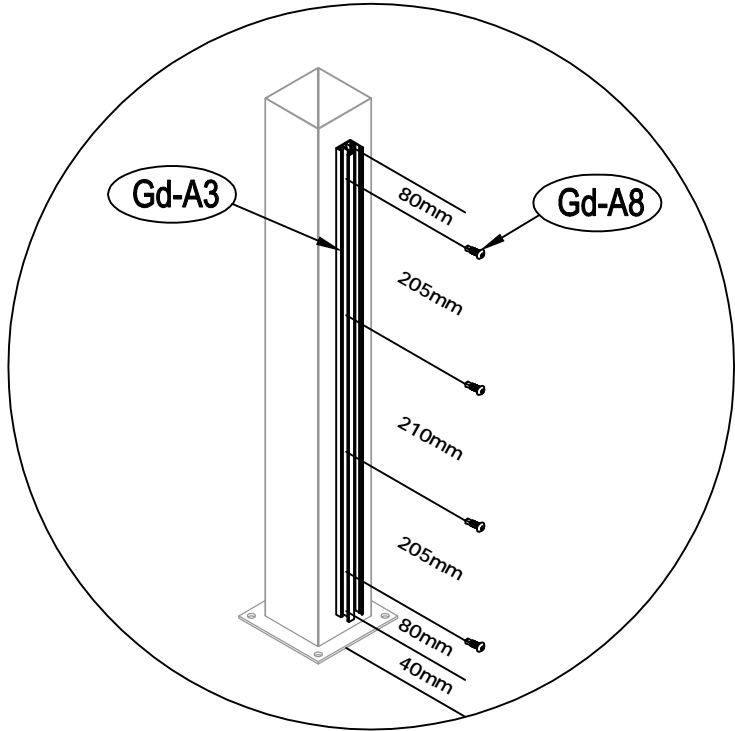
<p>1</p>	 <p>Gd-A1 [x1]</p>	 <p>Gd-5 [x1]</p>	 <p>Gd-A8 [x2]</p>	
-----------------	---	--	--	--



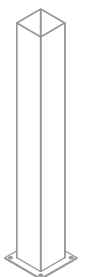
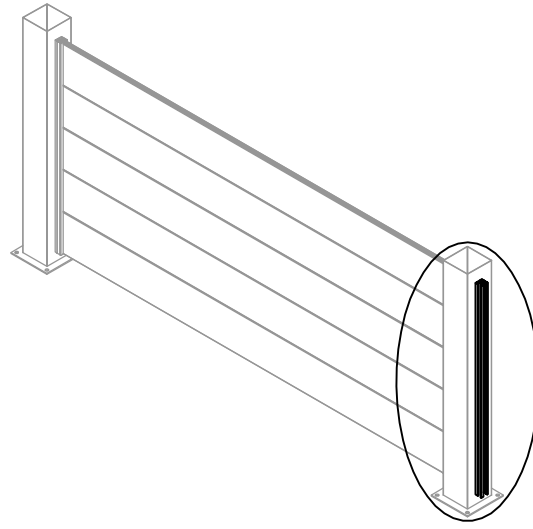
<p>2</p>	 <p>Gd-7 [x4]</p>			
-----------------	--	--	--	--



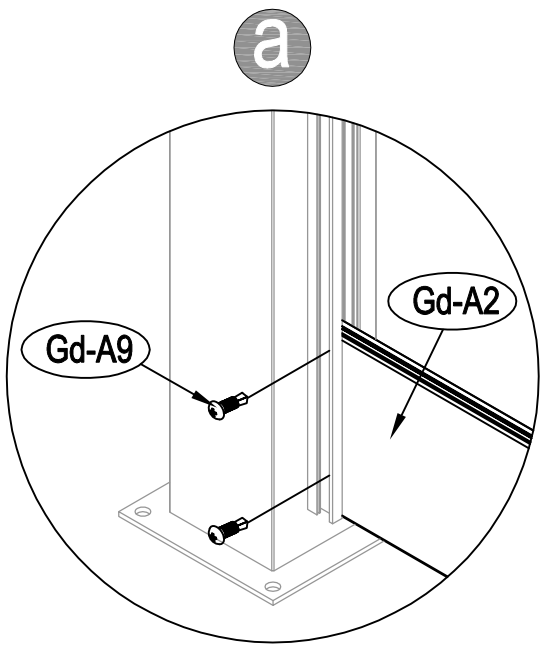
<p>3</p>	 <p>Gd-A3 [x2]</p>	 <p>Gd-A8 [x8]</p>		
-----------------	---	---	--	--



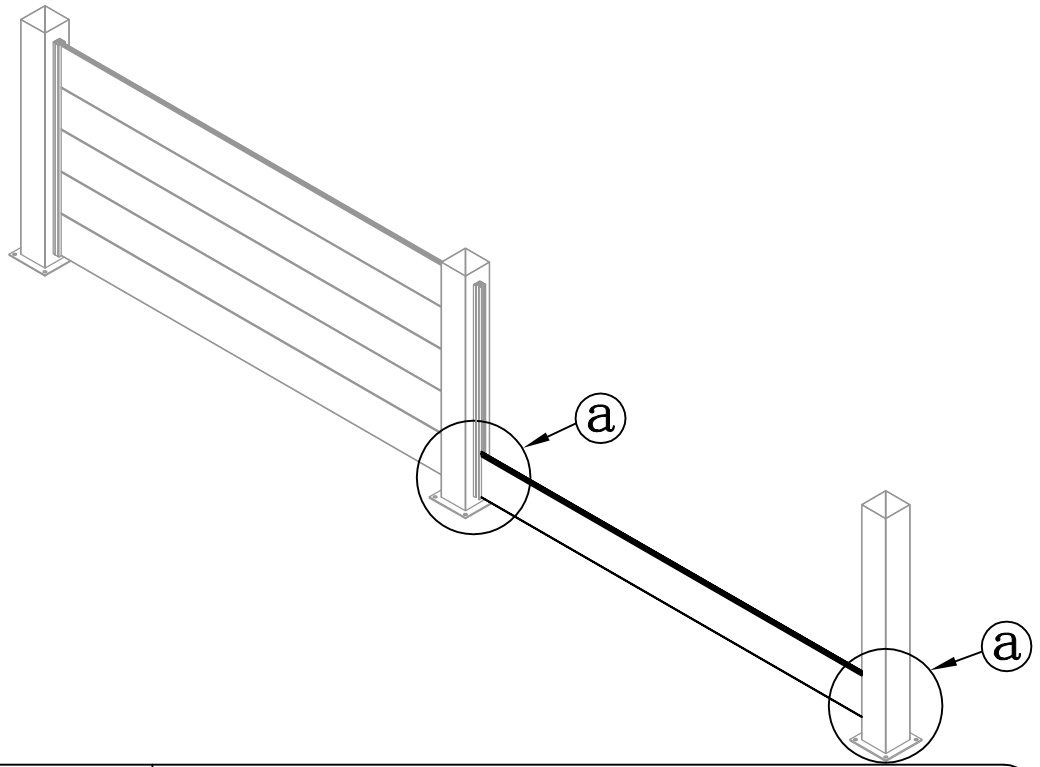
X2

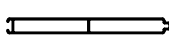
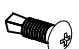


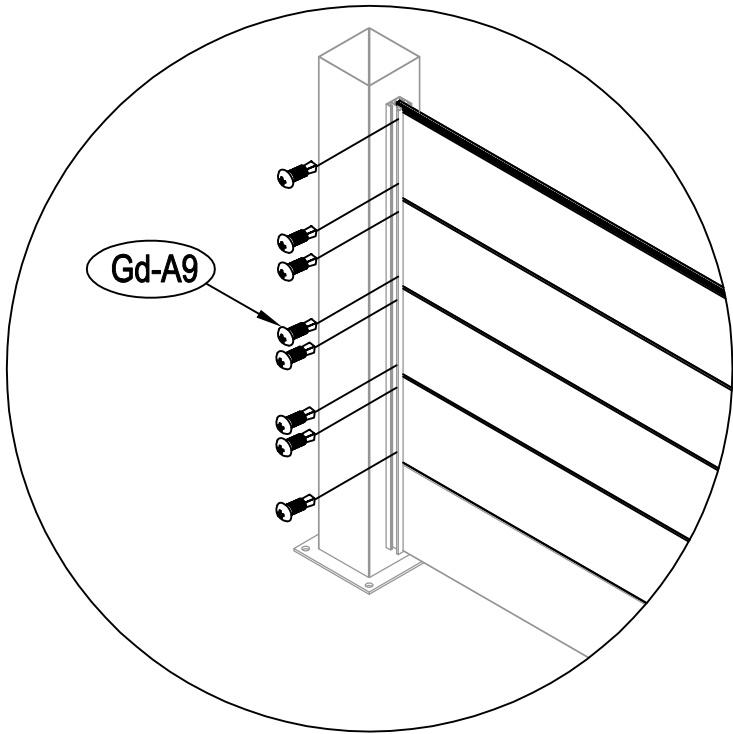
4	 Gd-A2 [x1]	 Gd-A9[x4]		
----------	---	--	--	--



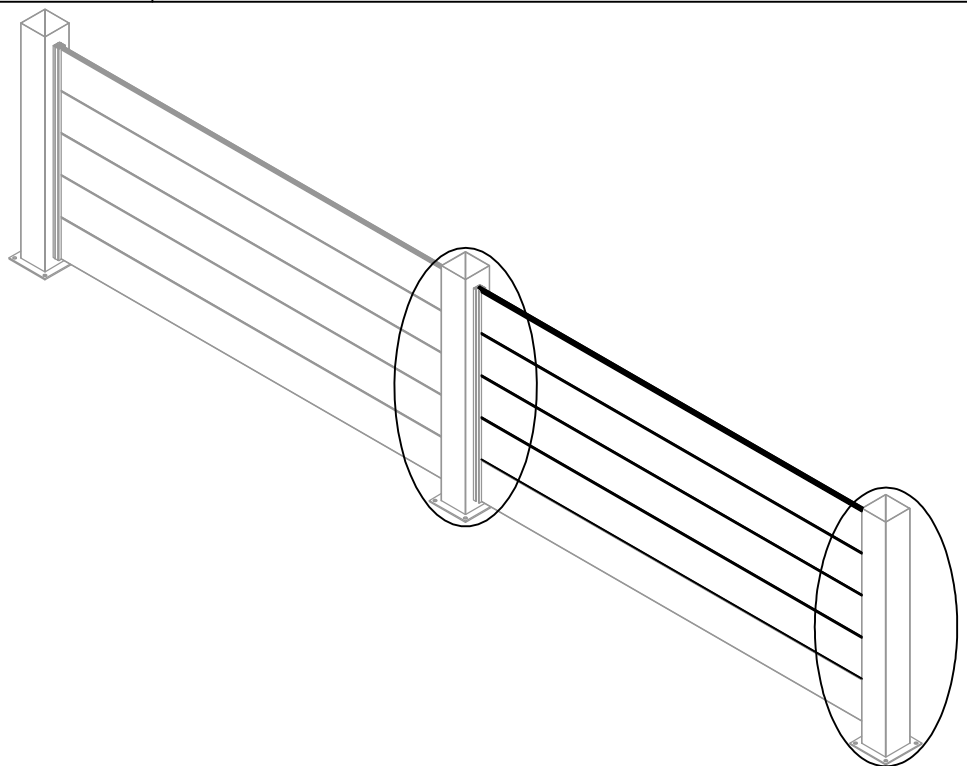
X2



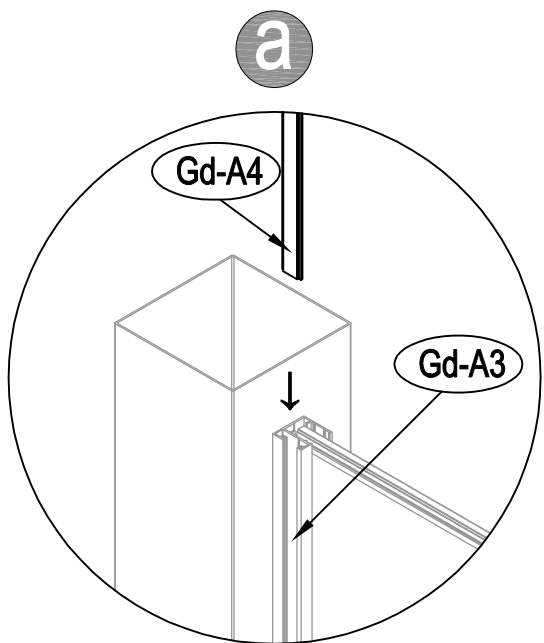
5	 Gd-A2 [x4]	 Gd-A9[x16]		
----------	---	---	--	--



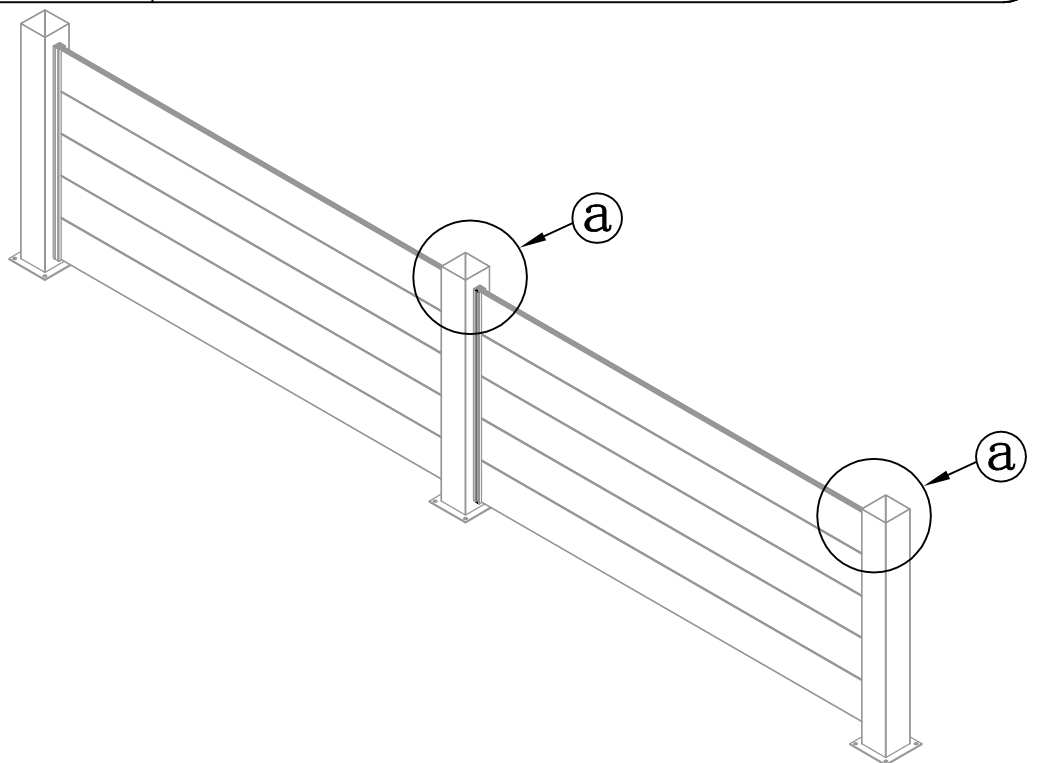
X2



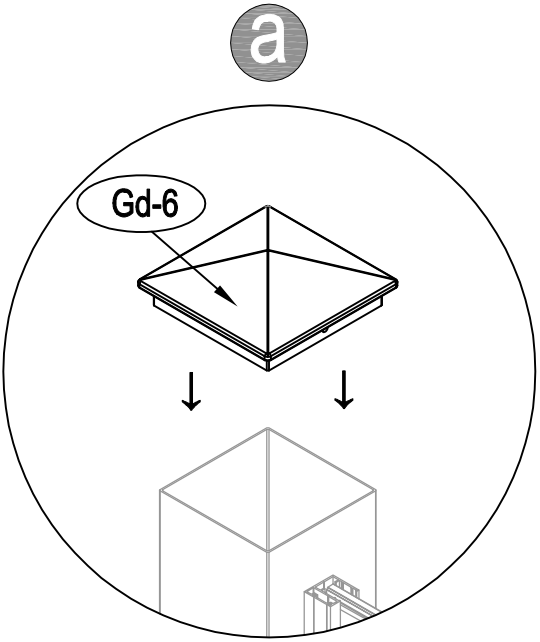
6	 Gd-A4 [x2]			
----------	---	--	--	--



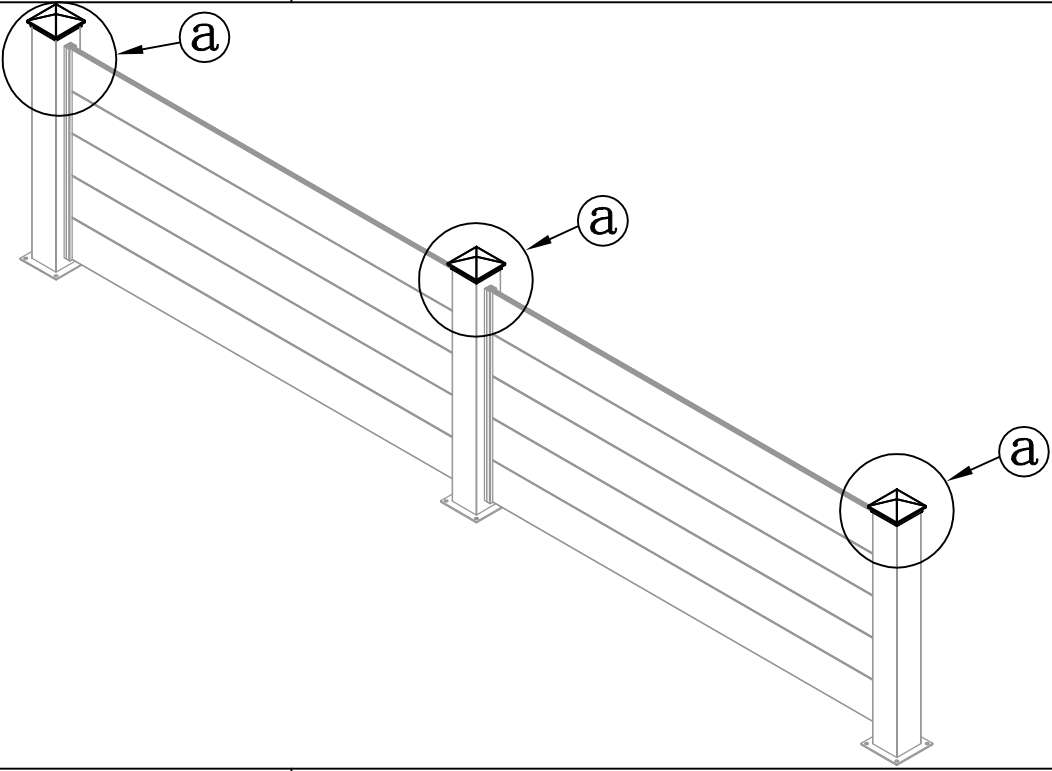
X2



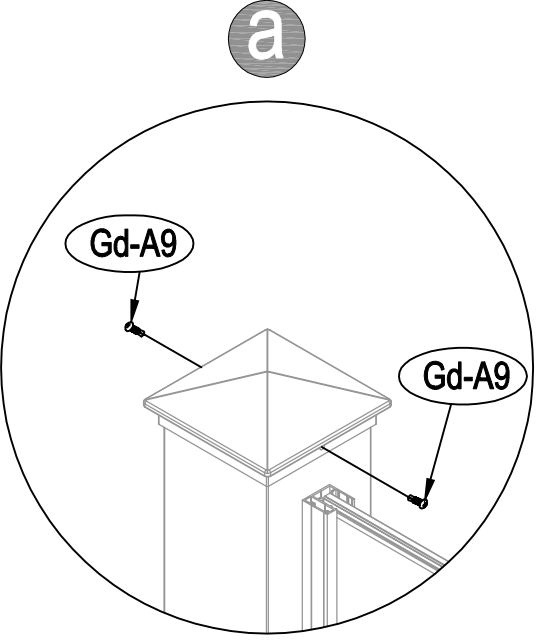
7	 Gd-6 [x3]			
---	--	--	--	--



X3



8	 Gd-A9 [x6]			
---	---	--	--	--



X2

